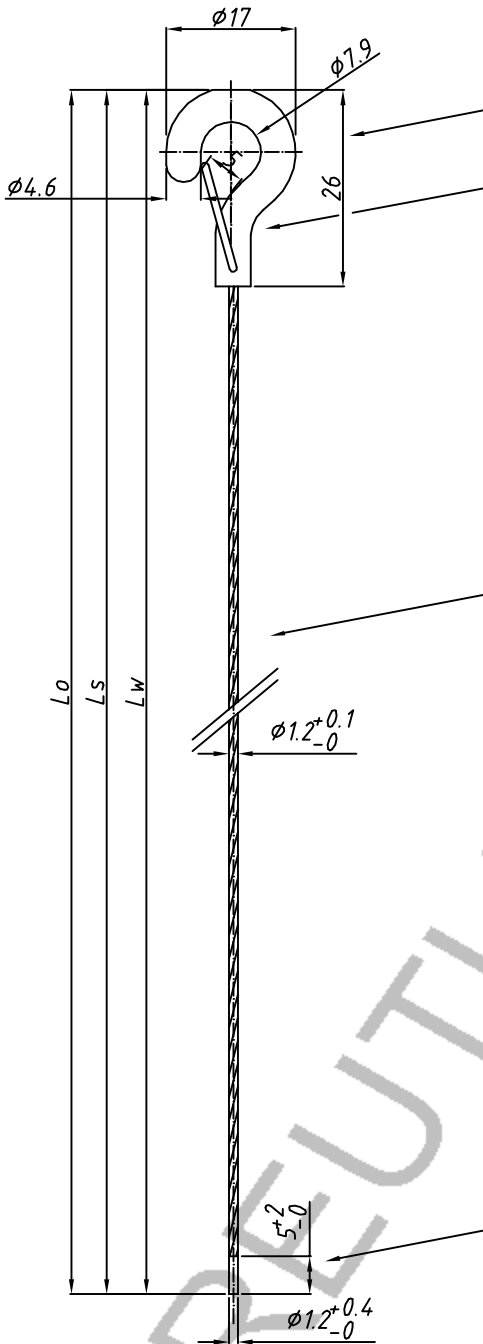


Front view  
M 1:1



die casted hook

stainless steel safety clip  
Ser.no.: 029.006.605 <sup>(B)</sup>



cable  
DIN EN 12385-4, 6x7+1SE galv.  
2300 N/mm<sup>2</sup>,  $\phi=1.2$  mm  
Ser.No.:015.580.121

soldered end

Static  
Breaking force 600N  
~ breaking load 60kg

type of packing:  
50 cables in a bunch

Overall length L <sub>0</sub> : 1500	Cut length L <sub>c</sub> : 1483	Scale: 1:1	Size: A4	Tolerance: DIN/ISO 2768 c
Working length L <sub>w</sub> : 1492	Support length L <sub>s</sub> : 1495	Mass: 12,6 g	AG:	Material: various
Cable length tolerance $\pm 3\text{mm}/\pm 0.118''$		MC:	Surface: various	
		Date	Name	Designation
		Work 03.11.06	S. Lorey	cable $\phi = 1,2\text{mm}$ Z-Hook with safety clip; L <sub>0</sub> = 1500mm; soldered end Static Breaking force 600 N - Breaking load 60 kg
		Change 25.09.09	S. Lorey	
		Release:		
		<b>REUTLINGER</b> <sup>®</sup> Frankfurt am Main - Germany		Drawing No. K - 295.347.150 - B - GB
Stainless steel safety gate		25.09.09	SL	Ser. No. _____
breaking force		27.06.08	PS	Sheet 1
Status	Change	Date	Name	7 Sh.
Caution Copyright DIN 34				Repl.c.f. _____